

Fixed Orifice Double Regulating Valve

AW58/2

BS, DN200 - DN500 (EPDM)

PN 10/16

Single unit Y-pattern globe valves incorporating an integral orifice plate to form a fixed orifice flow measurement unit with regulation and isolation capacity.

Technical Details

Face to Face in accordance to:

EN 558-1 Series 1

Maximum Working Pressure PFA:

16 bar / PN16

Working temperature:

Maximum +80°C

Construction complies to:

BS 7350

Flange Type:

EN 1092-2 PN10 & PN16

Coating:

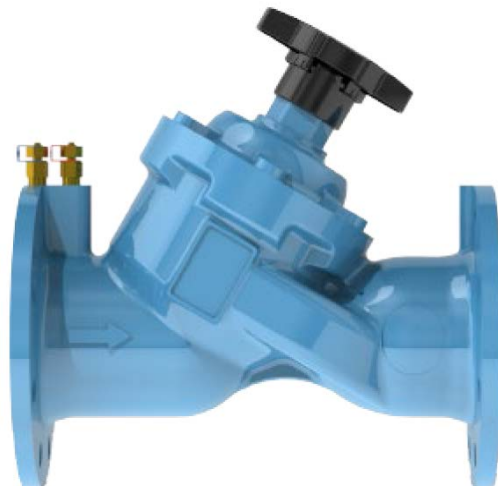
250 µm FBE coating, external and internal - Blue (RAL5015)

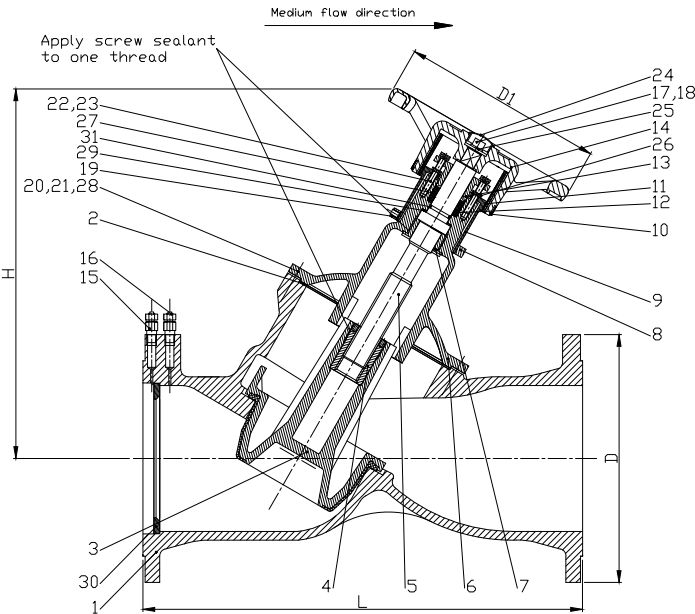
Application:

Primarily used in injection or other circuits requiring a double regulating valve for systems balancing. Accuracy of flow measurement is $\pm 5\%$ at all open positions of the valve.

Design features

- One rectangular aluminum label is pasted on the front of valve body
- The working medium is heating and ventilating water
- Valve is supplied with Hand Wheel as standard.





No	Part Name	Material
1	Body	Ductile Iron EN-GJS-450-10
2	Seal Gasket	EPDM
3	Disc	Ductile Iron EN-GJS-450-10
4	Stem Nut	Brass CW617N
5	Stem	Stainless Steel X12Cr13/1.4006/410 (DN200-300) Stainless Steel X17CrNi16-2/1.4057/431 (DN350-500)
6	Cover	Ductile Iron EN-GJS-450-10
7	Gland	Brass CW617N
8	Indicator Limit Sleeve	Brass CW617N + galvanization
9	Indicator Guide Sleeve	Brass CW617N
10	Indicator Circle	ABS
11	Indicator	ABS
12	Packing Seal	Elastomer EPDM
13	Packing Gland	Ductile Iron EN-GJS-450-10
14	Hanwheel	Ductile Iron EN-GJS-450-10
15	Measuring Valve (Red)	Brass CW617N
16	Measuring Valve (Blue)	Brass CW617N
17	Hexagon Socket Screws	Stainless Steel X5CrNi18-10 / 1.4301 / 304
18	Large Washers	Stainless Steel X5CrNi18-10 / 1.4301 / 304
19	Hexagon Socket Screws	Stainless Steel X5CrNi18-10 / 1.4301 / 304
20	Hexagon Head Bolts	Stainless Steel X5CrNi18-10 / 1.4301 / 304
21	Spring Washer	Stainless Steel X5CrNi18-10 / 1.4301 / 304
22	Hexagon Head Bolts	Stainless Steel X5CrNi18-10 / 1.4301 / 304
23	Spring Washer	Stainless Steel X5CrNi18-10 / 1.4301 / 304
24	Dust Cap	ABS
25	Spring Washer	Stainless Steel X5CrNi18-10 / 1.4301 / 304
26	Hex Nuts	Stainless Steel X5CrNi18-10 / 1.4301 / 304
27	Filler	PTFE
28	Washer	Stainless Steel X5CrNi18-10 / 1.4301 / 304
29	Shoulder Gasket	Brass CW617N
30	Measuring Plate	Brass CW617N
31	O-ring	Elastomer EPDM

Dimension (mm & kg)

Group	DN	200	250	300	350	400	450	500
AW58/2	PN16	AB9370	AB9371	AB9372	AB9373	AB9374	AB9375	AB9376
	PN10	AB9389	AB9390	AB9391	AB9392	AB9393	AB9394	AB9395
L		600	730	850	980	1100	1200	1250
H		507	570	686	681	965	972	1065
D		340	405	460	520	580	640	715
D1		280	420	420	420	640	640	640
Weight kg		133	185	248	408	592	684	836